



# TB400 BOPLAN SAFETY BARRIER SPECIFICATION SHEET

Revision: 23 October 2018 9:25 AM  
Boplan reference: TB4000 - ...



## PRODUCT SPECIFICATIONS

APPLICATION			
Environment	The TB 400 is used for the protecting of walls, machines and infrastructure from pallet trucks, forklifts or other vehicles.		
Advisory speed	9.0 km/h	For gross weight vehicle of 2500 kg	
	6.5 km/h	For gross weight vehicle of 5000 kg	
MATERIAL			
Posts and rails	Polyolefin - UV resistant - Fire class HB* - Non conductive - Impervious to most chemical products**		
STANDARD COLORS			
End post			Yellow
Mid post			Yellow
Tubes (rails)			Yellow
BASEPLATES			
	Steel	Zinc Coated Steel	Stainless steel
Material	Steel 37	Steel 37	INOX (RVS 304)
Coating	Lacquered	Lacquered + electro plating	No Itacquer / No coating
Color	High gloss black	Matt black	Natural color
FIXATIONS			
	ZINC COATED		INOX
EXPANSION ANCHOR 	Length = 120 mm Size = M12 Drill hole diameter = 12 mm Max load (pull out) = 7.9 kN		Length = 120 mm Size = M12 Drill hole diameter = 12 mm Max load (pull out) = 7.9 kN
THREADED ROD (WITH CHEMICAL ANCHOR) 	Length = 120 mm Size = M12 Drill hole diameter = 14 mm Max load (pull out) = 16 kN		Length = 120 mm Size = M12 Drill hole diameter = 14 mm Max load (pull out) = 16 kN

\*Fire class HB = Slow burning; classification according to UL94: US Standard for Safety of Flammability of Plastics  
\*\*Ask your local sales office for resistance to specific chemicals.

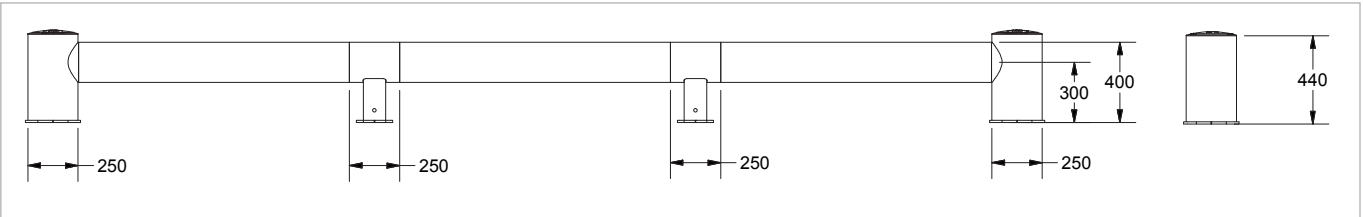
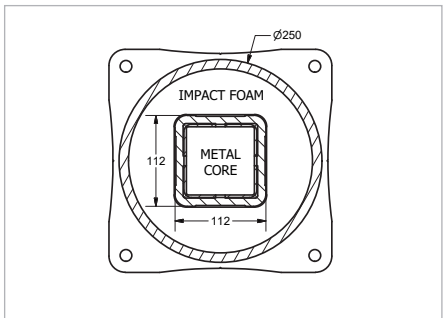
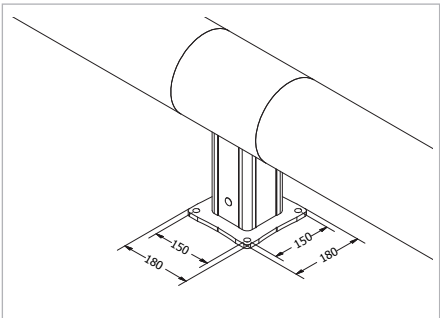
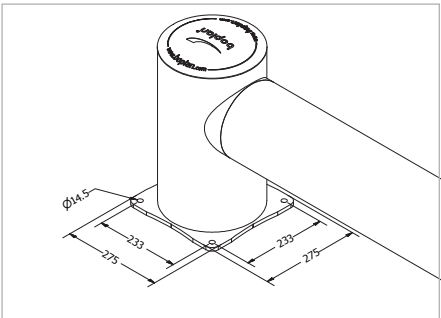


## FEATURES AND FUNCTIONALITY TB400

SIZE	
Height end posts	440 mm
Height mid post	400 mm
Profile section tubes	Ø200 mm (11 mm thick)
Profile section end posts	Outer tube: Ø250 mm (11 mm thick) Inner profile: 112 mm x 112 mm (10 mm thick) Impact foam (between outer and inner profile)
Profile section mid posts	Profile: 112 mm x 112 mm (10 mm thick)
Standard rail length	1350 mm (other sizes: 750 mm - 1750 mm)
Baseplate	End Post: 275 mm x 275 mm (10 mm thick) Mid Post: 180 mm x 180 mm (10 mm thick)

REQUIREMENTS	
Concrete quality	minimum C25/30
Concrete floor plate thickness (mm)	minimum 150 mm
Concrete slab dimension around posts (mm)	600 (h) x 600 (w) x 500 (d)
Operational temperature	-10°C up to +40°C
Water and humidity	<b>Steel (standard):</b> dry indoor use only. <b>Zinc coated:</b> outdoor use in most environments. <b>RVS:</b> outdoor use or frequent exposure to water and humidity.

IMPACT PERFORMANCE		
Test conditions	Ambient temperature Tube length Fork lift weight Floor Success criteria	20°C 1600mm (center - center) 2300kg Industrial concrete Fork lift stopped by barrier
90° impact	Maximum impact on post	16100 Joule
	Maximum impact on tube	20100 Joule
45° impact	Maximum impact on tube	28400 Joule



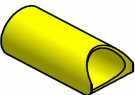
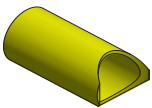
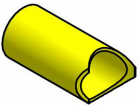
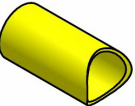
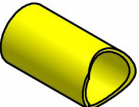
S = Stainless steel (=inox = RVS)  
 Z = Zinc coated (=galvanized)  
 C = chamfered  
 YE = Yellow

CC = Center - Center distance

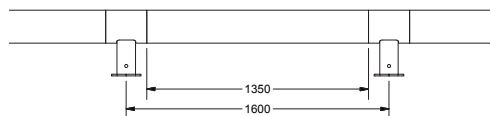


## REFERENCE LIST - TB400

POSTS		
End post End post - Stainless steel End post - Zinc coated	TB4000-0001-EPYE TB4000-0001-EPYES TB4000-0001-EPYEZ	
Mid post Mid post - Stainless steel Mid post - Zinc coated	TB4000-0001-MPYE TB4000-0001-MPYES TB4000-0001-MPYEZ	

CURVES		
Conn.tube Ø200 Curve 350mm - YE	TB4000-0350-C200YE	
Conn.tube Ø200 - 45° Curve 350mm - YE	TB4000-0350-C204YE	
Conn.tube Ø200 - 90° Curve 350mm - YE	TB4000-0350-C209YE	
Conn.tube Ø250 Curve 350mm - YE	TB4000-0350-C250YE	
Conn.tube Ø250 - 90° Curve 350mm - YE	TB4000-0350-C259YE	

RAIL SETS			
	Tube length	CC length	Reference
Standard rail	750 mm	1000 mm	TB4000-0750-1000YE
Standard rail	950 mm	1200 mm	TB4000-0950-1200YE
Standard rail	1150 mm	1400 mm	TB4000-1150-1400YE
Standard rail	1350 mm	1600 mm	TB4000-1350-1600YE
Standard rail	1550 mm	1800 mm*	TB4000-1550-1800YE
Standard rail	1750 mm	2000 mm*	TB4000-1750-2000YE
Short rail	600-1349 mm	850-1599 mm	TB4009-1599-SRYE
Long rail	1351-1749 mm	1601-2000 mm*	TB4009-2000-LRYE



\* The impact performance has not been tested for tube lengths > 1600 mm.  
 Only use these lengths for non-critical applications.

S = Stainless steel (=inox = RVS)  
 Z = Zinc coated (=galvanized)  
 C = chamfered  
 YE = Yellow



## REFERENCE LIST - TB400

FIXED UNITS				
TYPE	LENGTH	YELLOW		
no curves	750 mm	TB4000-0750-FUYE TB4000-0750-FUYES TB4000-0750-FUYEZ		
	751-1750 mm	TB4001-1750-FUYE TB4001-1750-FUYES TB4001-1750-FUYEZ		
1 curve	750 mm	TB4000-0750-FU1CYE TB4000-0750-FU1CYES TB4000-0750-FU1CYEZ + DEFINE CURVE		
	751-1750 mm	TB4001-1750-FU1CYE TB4001-1750-FU1CYES TB4001-1750-FU1CYEZ + DEFINE CURVE		
2 curves	750 mm	TB4000-0750-FU2CYE TB4000-0750-FU2CYES TB4000-0750-FU2CYEZ + DEFINE CURVES		
	751-1750 mm	TB4001-1750-FU2CYE TB4001-1750-FU2CYES TB4001-1750-FU2CYEZ + DEFINE CURVES		